









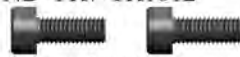























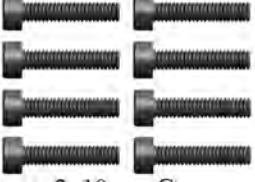












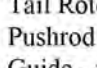












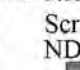
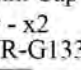
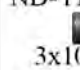

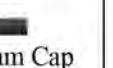



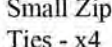

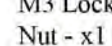

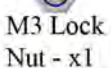

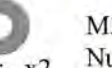

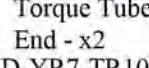
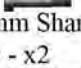
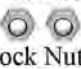
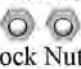
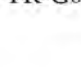




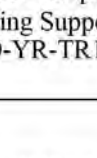











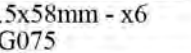


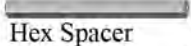


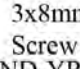
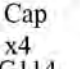



# Rave ENV Replacement Part Sets

<p>Order Number: ND-YR7-AS1001</p>  <p>Tail Gear Box Base - x1 ND-YR7-TR1008</p> <p>Tail Gear Box Spacer - x1 ND-YR7-TR1001</p>  <p>3x8mm Cap Screw - x2 ND-YR-G114</p>	<p>Order Number: ND-YR7-AS1002</p>  <p>Horizontal Fin - x1 ND-YR7-TR1020</p>  <p>3x10mm Cap Screw - x2 ND-YR-G065</p>	<p>Order Number: ND-YR7-AS1003</p>  <p>Vertical Fin - x1 ND-YR7-TR1010</p> <p>Bearing 5x13x4mm Flanged - x2 ND-YR-G063</p>  <p>3x8mm Cap Screw - x2 ND-YR-G114</p> <p>Tail Gear Box Side Plate - x1 ND-YR7-TR1009</p>  <p>3x12mm Cap Screw - x2 ND-YR-G115</p>
<p>Order Number: ND-YR7-AS1004</p>  <p>Tail Boom Insert Bevel Gear - x1 ND-YR7-TR1016</p> <p>Tail Output Shaft With Gear - x1 ND-YR7-TR1002</p>	<p>Order Number: ND-YR7-AS1005</p>  <p>Rear Tail Bellcrank Mount - x1 ND-YR7-TR1011</p>	<p>Order Number: ND-YR7-AS1006</p>  <p>Rear Tail Rotor Bellcrank - x1 ND-YR7-TR1012</p> <p>Tail Rotor Bellcrank Carbon Plate - x1 ND-YR7-TR1027</p>  <p>3x8mm Cap Screw - x2 ND-YR-G114</p>  <p>Steel Control Ball - x1 ND-YR-G001</p>  <p>Bearing 3x8x4mm Flanged - x2 ND-YR-G064</p>  <p>M2 Hex Nut - x1 ND-YR-G034</p>  <p>3x6.5mm Pinning Screw - x2 ND-YR-G119</p>  <p>2x10mm Phillips Head Screw - x1 ND-YR-G124</p>
<p>Order Number: ND-YR7-AS1007</p>  <p>Tail Pitch Slider Tube - x1 ND-YR7-TR1007</p> <p>Tail Pitch Slider Ring - x1 ND-YR7-TR1003</p>  <p>Tail Pitch Fork - x1 ND-YR7-TR1004</p>  <p>2mm E Clip - x2 ND-YR-G090</p>  <p>Tail Pitch Link Pin - x2 ND-YR7-TR1006</p>  <p>Bearing 6x10x3mm - x2 ND-YR-G089</p>  <p>Spacer 6x7.55x3mm - x1 ND-YR-G102</p>  <p>Tail Pitch Link - x2 ND-YR7-TR1005</p>	<p>Order Number: ND-YR7-AS1008</p>  <p>Tail Hub - x1 ND-YR7-TR1028</p> <p>4x4mm Set Screw - x2 ND-YR-G120</p>	<p>Order Number: ND-YR7-AS1009</p>  <p>Tail Blade Grip Half - Left - x2 ND-YR7-TR1029</p> <p>Tail Blade Grip Half - Right - x2 ND-YR7-TR1030</p>  <p>Bearing 4x10x4mm - x4 ND-YR-G006</p>  <p>Thrust Bearing 4x9x4mm - x2 ND-YR-G012</p>  <p>Spacer 7x10x1mm - x2 ND-YR-G095</p>  <p>M3 Lock Nut - x2 ND-YR-G035</p>  <p>Steel Control Ball - x2 ND-YR-G001</p>  <p>Spacer 4x7x0.5mm - x2 ND-YR-G092</p>  <p>2x10mm Phillips Head Screw - x2 ND-YR-G124</p>  <p>M2 Hex Nut - x8 ND-YR-G034</p>  <p>3x14mm Cap Screw - x2 ND-YR-G123</p>  <p>2x10mm Cap Screw - x8 ND-YR-G024</p>






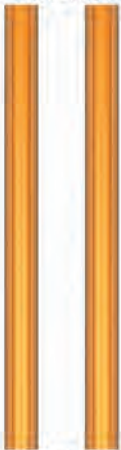






















# Rave ENV Replacement Part Sets

<p>Order Number: ND-YR7-AS1010</p>  <p>Plastic Tail Boom Insert - x1 ND-YR7-TR1017</p>  <p>Aluminum Tail Boom Insert - x1 ND-YR7-TR1015</p>  <p>Bearing 12x18x4mm - x2 ND-YR-G099</p>	<p>Order Number: ND-YR7-AS1011</p>     <p>3x8mm Button Head Screw (Stainless Steel Boom Pinning Screw) - x4 ND-YR-G148</p>	<p>Order Number: ND-YR7-AS1012</p>       <p>Ball Link - Long - x2 ND-YR-G077</p> <p>2x6mm Cap Screw - x4 ND-YR-G023</p> <p>Tail Boom - x2 ND-YR7-TR1013</p> <p>Rear Tail Rotor Pushrod Guide - x4 ND-YR7-TR1031</p> <p>Tail Rotor Pushrod - x1 ND-YR-G080</p>	<p>Order Number: ND-YR7-AS1013</p>   <p>Horizontal Fin Clamp Top - x1 ND-YR7-TR1021</p> <p>Horizontal Fin Clamp Bottom - x1 ND-YR7-TR1019</p>   <p>3x10mm Cap Screw - x2 ND-YR-G065</p>
<p>Order Number: ND-YR7-AS1014</p>      <p>Boom Support Spacer - x2 ND-YR-G165</p> <p>2x12mm Shanked Screw - x4 ND-YR-G053</p>   <p>Boom Support End - x4 ND-YR7-TR1022</p> <p>3x18mm Cap Screw - x2 ND-YR-G133</p>     <p>M3 Washer - x4 ND-YR-G094</p>   <p>3x10mm Cap Screw - x2 ND-YR-G065</p> <p>Boom Support Carbon Rod - x2 ND-YR7-TR1023</p>	<p>Order Number: ND-YR7-AS1015</p>   <p>Boom Support Bridge Half - x2 ND-YR7-TR1024</p>     <p>Small Zip Ties - x4 ND-YR-G045</p>   <p>3x10mm Cap Screw - x1 ND-YR-G065</p> <p>M3 Lock Nut - x1 ND-YR-G035</p>   <p>M3 Washer - x2 ND-YR-G094</p>	<p>Order Number: ND-YR7-AS1016</p>   <p>Torque Tube End - x2 ND-YR7-TR1034</p>   <p>2x12mm Shanked Screw - x2 ND-YR-G053</p>   <p>M2 Lock Nut - x2 ND-YR-G037</p>  <p>Torque Tube - x1 ND-YR7-TR1032</p>   <p>Bearing 8x14x4mm - x2 ND-YR-G066</p>   <p>Rubber Torque Tube Bearing Support - x2 ND-YR-TR1035</p>	
<p>Order Number: ND-YR7-AS1017</p>   <p>Forward Tail Clamp Half - Left - x1 ND-YR7-TR1025</p> <p>Forward Tail Clamp Half - Right - x1 ND-YR7-TR1026</p>          <p>3x8mm Cap Screw - x12 ND-YR-G114</p>     <p>Hex Spacer 3x5.5x58mm - x6 ND-YR-G075</p>	<p>Order Number: ND-YR7-AS1018</p>  <p>Plastic Frame Center Brace - x1 ND-YR7-F1010</p>   <p>Hex Spacer 3x5.5x58mm - x2 ND-YR-G075</p>     <p>3x8mm Cap Screw - x4 ND-YR-G114</p>	<p>Order Number: ND-YR7-AS1019</p>  <p>Fuel Tank - x1 ND-YR7-FT1001</p>	
























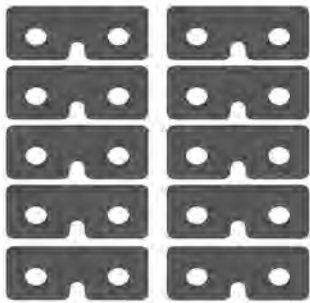








# Rave ENV Replacement Part Sets

<p>Order Number: ND-YR7-AS1020</p>  <p>Fuel Tank Nipple - x1 ND-YR7-FT1003</p>  <p>Fuel Tank Clunk - x1 ND-YR7-FT1004</p>  <p>Fuel Tank Washer - x1 ND-YR7-FT1005</p>  <p>Fuel Tank Nut - x1 ND-YR7-FT1006</p>  <p>Fuel Tubing - 6 Inch Section - x1 ND-YR-G105</p>	<p>Order Number: ND-YR7-AS1021</p>  <p>Fuel Tubing - 6 Inch Section - x2 ND-YR-G105</p>	<p>Order Number: ND-YR7-AS1022</p>  <p>Rubber Fuel Tank Liner - x2 ND-YR7-F1032</p>	<p>Order Number: ND-YR7-AS1023</p>  <p>Lower Frame Brace - x2 ND-YR7-F1015</p>  <p>3x10mm Cap Screw - x8 ND-YR-G114</p>
<p>Order Number: ND-YR7-AS1024</p>  <p>Landing Gear Strut - x2 ND-YR7-F1002</p>  <p>Landing Gear Skid - x2 ND-YR7-F1004</p>  <p>3x4mm Set Screw - x4 ND-YR-G159</p>	<p>Order Number: ND-YR7-AS1025</p>  <p>Carbon Base Plate - x1 ND-YR7-F1016</p>	<p>Order Number: ND-YR7-AS1026</p>  <p>Main Frame Left And Right - x1 ND-YR7-F1028</p>	<p>Order Number: ND-YR7-AS1027</p>  <p>Front Frame - x1 ND-YR7-F1025</p>
<p>Order Number: ND-YR7-AS1028</p>  <p>Motor Mount Half - Left And Right - x2 ND-YR7-F1030</p>  <p>M3 Washer - x6 ND-YR-G094</p>  <p>M4 Washer - x4 ND-YR-G082</p>  <p>3x8mm Cap Screw - x6 ND-YR-G114</p>  <p>4x16mm Cap Screw - x2 ND-YR-G130</p>	<p>Order Number: ND-YR7-AS1029</p>  <p>Fan Shroud Half - Left - x1 ND-YR7-F1026</p>  <p>Fan Shroud Half - Right - x1 ND-YR7-F1027</p>  <p>Hex Spacer 3x5.5x58mm - x2 ND-YR-G075</p>  <p>3x8mm Cap Screw - x4 ND-YR-G114</p>	<p>Order Number: ND-YR7-AS1030</p>  <p>Cooling Fan Hub - x1 ND-YR7-CS1011</p>  <p>3x10mm Cap Screw - x2 ND-YR-G065</p>	
















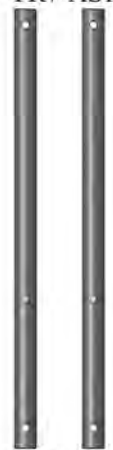

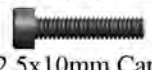






















# Rave ENV Replacement Part Sets

<p>Order Number: ND-YR7-AS1031</p>  <p>Cooling Fan - x1 ND-YR7-AS1012</p>  <p>3x8mm Cap Screw - x4 ND-YR-G114</p>  <p>M3 Washer - x4 ND-YR-G094</p>	<p>Order Number: ND-YR7-AS1032</p>  <p>Clutch - x1 ND-YR7-CS1009</p>  <p>4x6mm Cap Screw - x2 ND-YR-G121</p>	<p>Order Number: ND-YR7-AS1033</p>  <p>Clutch Bell - x1 ND-YR7-CS1007</p>  <p>Clutch Bell Liner - x1 ND-YR7-CS1006</p>  <p>Bearing 5x13x4mm - x1 ND-YR-G142</p>	<p>Order Number: ND-YR7-AS1034</p>  <p>Nitro Pinion - 16 Tooth - x1 ND-YR7-CS1002</p>  <p>Pinion Crush Nut - x1 ND-YR7-CS1001</p>  <p>Bearing 5x13x4mm - x1 ND-YR-G142</p>
<p>Order Number: ND-YR7-AS1035</p>  <p>Clutch Stack Block - Left - x1 ND-YR7-CS1004</p>  <p>Clutch Stack Block - Right - x1 ND-YR7-CS1005</p>  <p>Clutch Stack Lower Block - x1 ND-YR7-CS1003</p>  <p>Hex Spacer 3x5.5x58mm - x2 ND-YR-G075</p>  <p>Bearing 12x21x5mm - x2 ND-YR-G070</p>	<p>Order Number: ND-YR7-AS1036</p>  <p>Start Shaft - x1 ND-YR7-CS1013</p>	<p>Order Number: ND-YR7-AS1037</p>  <p>Start Hex - x1 ND-YR7-CS1010</p>  <p>4x4mm Set Screw - x2 ND-YR-G120</p>	<p>Order Number: ND-YR7-AS1038</p>  <p>Front Radio Tray - x1 ND-YR7-F1005</p>  <p>3x8mm Cap Screw - x10 ND-YR-G114</p>  <p>Hex Spacer 3x5.5x58mm - x4 ND-YR-G075</p>
<p>Order Number: ND-YR7-AS1039</p>  <p>Lower Canopy Mount - x1 ND-YR7-F1031</p>	<p>Order Number: ND-YR7-AS1040</p>  <p>Carbon Servo Mount Tab - x10 ND-YR7-F1020</p>	<p>Order Number: ND-YR7-AS1041</p>  <p>Rubber Canopy Standoff - x2 ND-YR7-F1018</p>  <p>Rubber Canopy Standoff Insert - x2 ND-YR7-F1019</p>  <p>3x22mm Cap Screw - x2 ND-YR-G125</p>	<p>Order Number: ND-YR7-AS1042</p>  <p>Rear Canopy Standoff - x2 ND-YR7-F1011</p>  <p>3x16mm Threaded Stud - x2 ND-YR-G129</p>  <p>M3 Lock Nut - x2 ND-YR-G035</p>





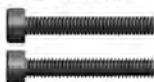





























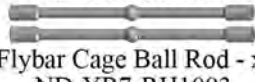






# Rave ENV Replacement Part Sets

<p>Order Number: ND-YR7-AS1043</p>  <p>CCPM T-Lever Arm Left And Right - x2 ND-YR7-F1014</p>  <p>2x10mm Phillips Head Screw - x6 ND-YR-G124</p>  <p>Bearing 3x7x3mm - x4 ND-YR-G068</p>  <p>CCPM T-Arm Spacer - x2 ND-YR7-F1012</p>  <p>Spacer 3x4.5x3mm - x2 ND-YR-G100</p>  <p>M3 Lock Nut - x2 ND-YR-G035</p>  <p>Steel Control Ball - x6 ND-YR-G001</p>  <p>3x22mm Cap Screw - x2 ND-YR-G125</p>	<p>Order Number: ND-YR7-AS1044</p>  <p>Elevator Control Arm - x1 ND-YR7-F1022</p>  <p>3x8mm Cap Screw - x2 ND-YR-G114</p>  <p>2x10mm Phillips Head Screw - x3 ND-YR-G124</p>  <p>M3 Washer - x2 ND-YR-G094</p>  <p>Steel Control Ball - x3 ND-YR-G001</p>  <p>Elevator Control Arm Shaft - x1 ND-YR7-F1023</p>  <p>4x4mm Set Screw - x1 ND-YR-G120</p>	<p>Order Number: ND-YR7-AS1045</p>  <p>12mm Hollow Main Shaft - x2 ND-YR7-RH1017</p>	
<p>Order Number: ND-YR7-AS1046</p>  <p>Main Shaft Collar - x1 ND-YR7-RH1015</p>  <p>2.5x10mm Cap Screw - x1 ND-YR-G114</p>	<p>Order Number: ND-YR7-AS1047</p>  <p>118 Tooth Tail Drive Gear - x2 ND-YR7-AU1005</p>	<p>Order Number: ND-YR7-AS1048</p>  <p>130 Tooth Main Gear - x2 ND-YR7-AU1004</p>	<p>Order Number: ND-YR7-AS1049</p>  <p>Auto Unit Housing - x1 ND-YR7-AU1001</p>  <p>Auto Unit Top Cap - x1 ND-YR7-AU1002</p>  <p>One Way Bearing - x1 ND-YR-G074</p>  <p>Hardened One Way Outer Sleeve - x1 ND-YR7-AU1006</p>  <p>Bearing 14x21x4mm - x2 ND-YR-G158</p>  <p>2.5x4mm Cap Screw ND-YR-G143</p>
<p>Order Number: ND-YR7-AS1050</p>  <p>Forward Tail Drive Shaft With Gears - x1 ND-YR7-TR1018</p>  <p>Tail Boom Insert Gear - x1 ND-YR7-TR1016</p>	<p>Order Number: ND-YR7-AS1051</p>  <p>Anti-Rotation Bracket - x1 ND-YR7-F1029</p>  <p>2.5x10mm Cap Screw - x4 ND-YR-G112</p>	<p>Order Number: ND-YR7-AS1052</p>  <p>Swashplate Assembly - x1 ND-YR7-RH1029</p>  <p>140 CCPM Ball - x2 ND-YR-G107</p>  <p>Anti-Rotation Ball - x1 ND-YR-G106</p>  <p>3mm Threaded Ball - x6 ND-YR-G108</p>  <p>3x3mm Set Screw - x3 ND-YR-G031</p>	<p>Order Number: ND-YR7-AS1053</p>  <p>Washout A Arm - x2 ND-YR7-RH1020</p>  <p>2x14mm Cap Screw - x2 ND-YR-G143</p>  <p>M2 Lock Nut - x2 ND-YR-G037</p>


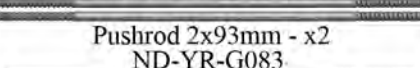

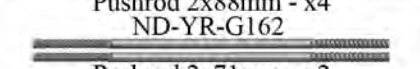
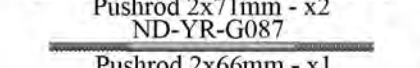
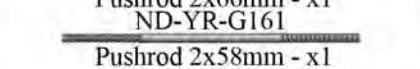





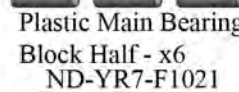
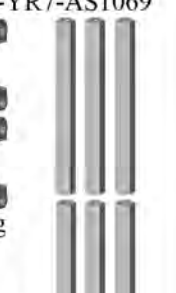
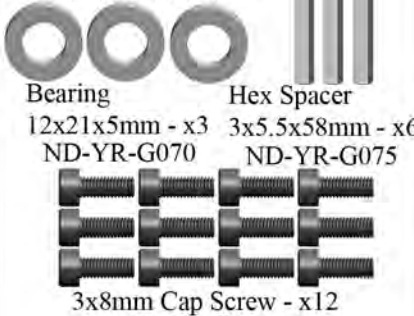






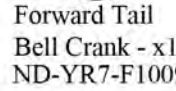



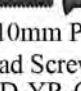
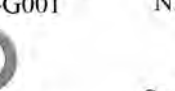



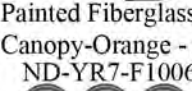



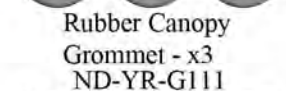




# Rave ENV Replacement Part Sets

<p>Order Number: ND-YR7-AS1054</p>  <p>Washout Arm - x2 ND-YR7-RH1019</p>  <p>Bearing 3x7x3mm - x4 ND-YR-G068</p>  <p>Spacer 3x4.5x0.5mm - x2 ND-YR-G097</p>  <p>Steel Control Ball - x2 ND-YR-G001</p>  <p>2x10mm Cap Screw - x2 ND-YR-G065</p>  <p>3x12mm Cap Screw - x2 ND-YR-G115</p>  <p>M2 Servo Washer - x2 ND-YR-G015</p>	<p>Order Number: ND-YR7-AS1055</p>  <p>Washout Base - x1 ND-YR7-RH1018</p>	<p>Order Number: ND-YR7-AS1056</p>  <p>Head Block - x1 ND-YR7-RH1012</p>  <p>Head Button - x1 ND-YR7-RH1008</p>  <p>3x8mm Cap Screw - x1 ND-YR-G114</p>	<p>Order Number: ND-YR7-AS1057</p>  <p>Rotor Head Rubber Damper - x2 ND-YR7-RH1009</p>  <p>Spacer 9x12x1.7mm - x2 ND-YR-G101</p>
<p>Order Number: ND-YR7-AS1058</p>  <p>Cross Shaft - x2 ND-YR7-RH1005</p>  <p>5x12mm Special Spindle Screw - x2 ND-YR-G116</p>	<p>Order Number: ND-YR7-AS1059</p>  <p>Main Blade Grip - x2 ND-YR7-RH1010</p>  <p>Steel Control Ball 13.5mm Threaded - x2 ND-YR7-RH1007</p>  <p>Bearing 9x17x5mm - x4 ND-YR-G072</p>  <p>Thrust Bearing 9x17x5mm - x2 ND-YR-G073</p>  <p>Spacer 14x17.25x1mm - x2 ND-YR-G096</p>	<p>Order Number: ND-YR7-AS1060</p>  <p>5x30mm Shanked Bolt - x2 ND-YR-G137</p>  <p>M5 Lock Nut - x2 ND-YR-G113</p>  <p>Spacer 5x22x1.5mm - x4 ND-YR-G136</p>	<p>Order Number: ND-YR7-AS1061</p>  <p>Seesaw Cage - x1 ND-YR7-RH1014</p>  <p>Bearing 4x10x4mm - x2 ND-YR-G006</p>  <p>Bearing 5x10x4mm Flanged - x2 ND-YR-G145</p>  <p>4x8mm Shanked Seesaw Screw - x2 ND-YR-G146</p>
<p>Order Number: ND-YR7-AS1062</p>  <p>Seesaw Control Arm - x2 ND-YR7-RH1011</p>  <p>Steel Control Ball - x4 ND-YR-G001</p>  <p>2x10mm Phillips Head Screw - x4 ND-YR-G124</p>  <p>3x12mm Cap Screw - x2 ND-YR-G115</p>  <p>Bearing 3x7x3mm - x4 ND-YR-G068</p>  <p>Spacer 3x4.5x1mm - x2 ND-YR-G098</p>	<p>Order Number: ND-YR7-AS1063</p>  <p>Flybar Cage End - x2 ND-YR7-RH1002</p>  <p>Flybar Cage Ball Rod - x2 ND-YR7-RH1003</p>  <p>2.5x10mm Cap Screw - x4 ND-YR-G112</p>  <p>4x4mm Set Screw - x2 ND-YR-G120</p>	<p>Order Number: ND-YR7-AS1064</p>  <p>Flybar (500mm) - x2 ND-YR7-RH1001</p>	<p>Order Number: ND-YR7-AS1065</p>  <p>Plastic Flybar Paddle - x2 ND-YR7-RH1025</p>







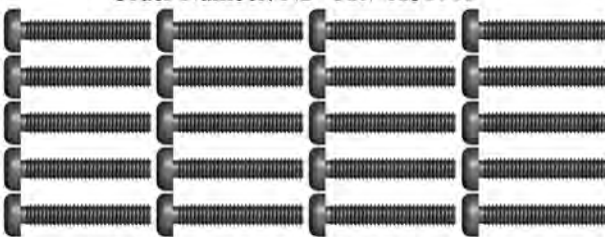























# Rave ENV Replacement Part Sets

<p>Order Number: ND-YR7-AS1066</p>  <p>Carbon Tail Blade (107mm, Next-D) - x2 ND-YR7-TR1036</p>	<p>Order Number: ND-YR7-AS1067</p>  <p>Pushrod 2x93mm - x2 ND-YR-G083</p>  <p>Pushrod 2x88mm - x4 ND-YR-G162</p>  <p>Pushrod 2x71mm - x2 ND-YR-G087</p>  <p>Pushrod 2x66mm - x1 ND-YR-G161</p>  <p>Pushrod 2x58mm - x1 ND-YR-G086</p>  <p>Pushrod 2x53mm - x4 ND-YR-G163</p>  <p>Pushrod 2x18mm - x4 ND-YR-G084</p>	<p>Order Number: ND-YR7-AS1068</p>  <p>Ball Link Long - x13 ND-YR-G077</p>  <p>Ball Link Short - x4 ND-YR-G078</p>	<p>Order Number: ND-YR7-AS1069</p>  <p>Plastic Main Bearing Block Half - x6 ND-YR7-F1021</p>  <p>Bearing 12x21x5mm - x3 ND-YR-G070</p>  <p>Hex Spacer 3x5.5x58mm - x6 ND-YR-G075</p>  <p>3x8mm Cap Screw - x12 ND-YR-G114</p>
<p>Order Number: ND-YR7-AS1070</p>  <p>Forward Tail Pushrod - x1 ND-YR-G079</p>  <p>Ball Link Long - x2 ND-YR-G077</p> <p>Forward Tail Stiffener - x1 ND-YR-G149</p>	<p>Order Number: ND-YR7-AS1071</p>  <p>Fuel Line Cutoff 5mm - x1 ND-YR-G103</p>  <p>Fuel Line Cutoff 6mm - x1 ND-YR-G104</p>	<p>Order Number: ND-YR7-AS1072</p>  <p>Adhesive Back Velcro Strips - 6 Inch Sections - x3 ND-YR-G019</p>	<p>Order Number: ND-YR7-AS1073</p>  <p>Forward Tail Bell Crank - x1 ND-YR7-F1009</p>  <p>Steel Control Ball - x2 ND-YR-G001</p>  <p>Spacer 3x4.5x0.5mm - x1 ND-YR-G097</p>  <p>Bearing 3x7x3mm - x2 ND-YR-G068</p>  <p>2x10mm Phillips Head Screw - x2 ND-YR-G055</p>  <p>Spacer 3x4.5x3mm - x1 ND-YR-G100</p>  <p>3x14mm Cap Screw - x1 ND-YR-G123</p>
<p>Order Number: ND-YR7-AS1074</p>  <p>Forward Tail Bell Crank Mount - x1 ND-YR7-F1008</p>  <p>3x8mm Cap Screw - x2 ND-YR-G114</p>	<p>Order Number: ND-YR7-AS1075</p>  <p>Painted Fiberglass Canopy-Orange - x1 ND-YR7-F1006</p>  <p>Rubber Canopy Grommet - x3 ND-YR-G111</p>  <p>Plastic Canopy Protector - x3 ND-YR7-F1003</p>  <p>Canopy Rubber Channel - x2 ND-YR7-F1033</p>	<p>Order Number: ND-YR7-AS1076</p>  <p>Rubber Canopy Grommet - x3 ND-YR-G111</p>  <p>Plastic Canopy Protector - x3 ND-YR7-F1003</p>  <p>Canopy Rubber Channel - x2 ND-YR7-F1033</p>	<p>Order Number: ND-YR7-AS1077</p>  <p>Flybar Link - x2 ND-YR7-RH1016</p>






























# Rave ENV Replacement Part Sets

<p>Order Number: ND-YR7-AS1078</p>  <p>Stepped Fan Shroud Washer - x4 ND-YR-G122</p>  <p>3x8mm Cap Screw - x4 ND-YR-G114</p>	<p>Order Number: ND-YR7-AS1079</p>  <p>Fan Shroud Baffle - x1 ND-YR7-F1024</p>  <p>2x6mm Cap Screw - x2</p>	<p>Order Number: ND-YR7-AS1080</p>  <p>4x24mm Shanked Screw - x2 ND-YR-G135</p>  <p>M4 Lock Nut - x2 ND-YR-G091</p>	<p>Order Number: ND-YR7-AS1081</p>  <p>2.5x15mm Self Tapping Screw - x20 ND-YR-G128</p>  <p>Plastic Servo Mount Tab - x6 ND-YR7-F1017</p>  <p>2x6mm Cap Screw - x4 ND-YR-G023</p>		
<p>Order Number: ND-YR7-AS1082</p>  <p>2.5x10mm Cap Screw - x2 ND-YR-G112</p>  <p>Rubber Fuel Tank Mount - x2 ND-YR7-F1001</p>	<p>Order Number: ND-YR7-AS1083</p>  <p>3x6mm Cap Screw - x5 ND-YR-G127</p>	<p>Order Number: ND-YR7-AS1084</p>  <p>Bearing 5x10x4mm - x2 ND-YR-G007</p>  <p>Spacer 5x8x0.025mm - x2 ND-YR-G164</p>	<p>Order Number: ND-YR7-AS1085</p>  <p>Bearing 2x6x3mm Flanged - x4 ND-YR-G144</p>  <p>2x14mm Cap Screw - x2 ND-YR-G054</p>  <p>M2 Lock Nut - x2 ND-YR-G037</p>	<p>Order Number: ND-YR7-AS1086</p>  <p>Ball Link Short - x2 ND-YR-G078</p>  <p>Pushrod 2x18mm - x2 ND-YR-G084</p>	<p>Order Number: ND-YR7-AS1087</p>  <p>Blade Grip Ball 20.5mm - x2 ND-YR7-RH1026</p>
<p>Order Number: ND-YR7-AS1088</p>  <p>Flybarless Head Block - x1 ND-YR7-RH1028</p>	<p>Order Number: ND-YR7-AS1089</p>  <p>Flybarless Control Arm - x2 ND-YR7-RH1027</p>  <p>Bearing 4x7x2.5mm Flanged - x4 ND-YR-G067</p>  <p>Spacer 4x5x1mm - x2 ND-YR-G150</p>  <p>Spacer 3x4x6.5mm Flanged - x2 ND-YR-G151</p>  <p>3x22mm Cap Screw - x2 ND-YR-G125</p>	<p>Order Number: ND-YR7-AS1090</p>  <p>Pushrod 2.5x61mm - x2 ND-YR-G160</p>  <p>Ball Link Long 2.5mm - x4 ND-YR-G077</p>			



# Rave ENV Replacement Part Sets

<p>Order Number: ND-YR7-AS1091</p>  <p>Electric Motor Mount - x1 ND-YR7-EC1002</p>  <p>Counter Bearing Support - x1 ND-YR7-EC1003</p>  <p>4mm E Clip - x1 ND-YR-G152</p>  <p>Motor Shaft Extension - x1 ND-YR7-EC1004</p>  <p>4x30mm Cap Screw - x2 ND-YR-G154</p>	<p>Order Number: ND-YR7-AS1092</p>  <p>3x10mm Cap Screw - x1 ND-YR-G065</p>  <p>M3 Lock Nut - x1 ND-YR-G035</p>  <p>M3 Washer - x1 ND-YR-G094</p>  <p>Bearing 5x13x4mm - x1 ND-YR-G142</p>  <p>Washer 5x8x0.5mm - x1 ND-YR-G153</p>  <p>M4 Star Lock Washer - x2 ND-YR-G155</p>	<p>Order Number: ND-YR7-AS1092</p>  <p>Rear Carbon Battery Tray - x1 ND-YR7-EC1001</p>  <p>3x8mm Button Head Screw - x4 ND-YR-G148</p>	<p>Order Number: ND-YR7-AS1093</p>  <p>Hex Spacer EC Threaded 3x5.5x58mm - x3 ND-YR-G156</p>  <p>3x14mm Cap Screw - x2 ND-YR-G123</p>  <p>M3 Washer - x2 ND-YR-G094</p>	<p>Order Number: ND-YR7-AS1094</p>  <p>Rear Carbon Frame Brace - x2 ND-YR7-F1038</p>  <p>3x14mm Cap Screw - x2 ND-YR-G123</p>  <p>M3 Washer - x2 ND-YR-G094</p>  <p>3x10mm Cap Screw - x2 ND-YR-G065</p>  <p>3x12mm Cap Screw - x4 ND-YR-G115</p>
<p>Order Number: ND-YR7-AS1095</p>  <p>Fuel Tank Grommet - x2 ND-YR7-FT1002</p>	<p>Order Number: ND-YR7-AS1096</p>  <p>Steel Control Ball 13.5mm - x2 ND-YR7-RH1007</p>	<p>Order Number: ND-YR7-AS1097</p>  <p>Clutch Liner - x2 ND-YR7-CS1006</p>	<p>Order Number: ND-YR7-AS1098</p>  <p>4x8mm Shanked Seesaw Screw - x2 ND-YR-G146</p>	<p>Order Number: ND-YR7-AS1099</p>  <p>3x6.5mm Pin Screw - x2 ND-YR-G119</p>  <p>3x8mm Button Head Screw - x4 (Stainless Steel) ND-YR-G148</p>

Join The Rave Discussion At

[www.allmyrc.com](http://www.allmyrc.com)

Forums. Social Networking. Media. R/C Newz. R/C Events

**Next**